

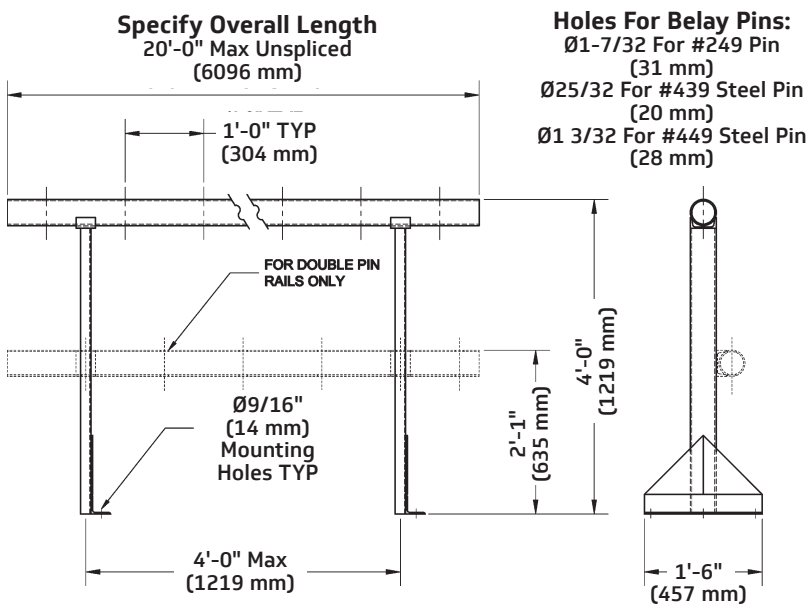
Pin Rail & Accessories

- Pin rails are designed to allow the user to insert belaying pins to tie-off rope rigging
- The pin rail is made of 3-1/2" (89 mm) pipe with holes for belaying pins on 12" (305 mm) centers supported by 4" (102 mm) channel legs
- Double pin rails have two pipes so that non-moving pieces may be tied off to one pipe and the other used for the active sets; also for double trims
- Wood and steel belaying pins are available
- Sand bags may be used to counterbalance the load; sand bags are made from ballistic nylon, with a forged safety hook, and hook and loop closure; dry sand (not supplied) can be added or removed to accurately balance a load
- Three-year warranty against defects in materials or workmanship is provided on all J.R. Clancy equipment, additional warranty information is available at jrclancy.com



Pin Rail with Belaying Pins and Sand Bag
015-520R

Dimensions



Order Information

Number	Description	Weight
Pin Rails		
015-520R	Single Pin Rail	25 lb/ft (37 kg/m)
015-520D	Double Pin Rail	45 lb/ft (66.9 kg/m)
Belaying Pins		
015-249	21" (533 mm) Wooden Belaying Pin, 1-5/32" (29 mm) Diameter	1 lb/ea (0.45 kg/ea)
015-439	Steel Belaying Pin, 3/4" (19 mm) Diameter	2 lb/ea (0.9 kg/ea)
015-449	Steel Belaying Pin, 1-1/16" (29 mm) Diameter	2.2 lb/ea (1 kg/ea)

Number	Description	Weight
Sand Bags		
015-SB25	25 lb (11.3 kg) Sand Bag	1 lb/ea (0.45 kg/ea)
015-SB50	50 lb (22.6 kg) Sand Bag	1 lb/ea (0.45 kg/ea)
015-SB100	100 lb (45.3 kg) Sand Bag	2 lb/ea (0.9 kg/ea)
015-1SB150	150 lb (68 kg) Sand Bag	2 lb/ea (0.9 kg/ea)

